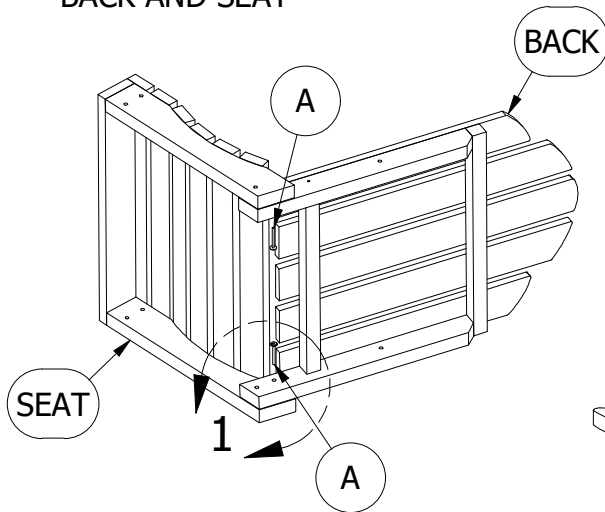
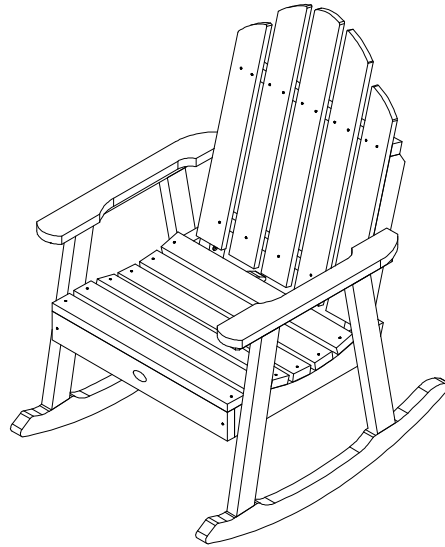
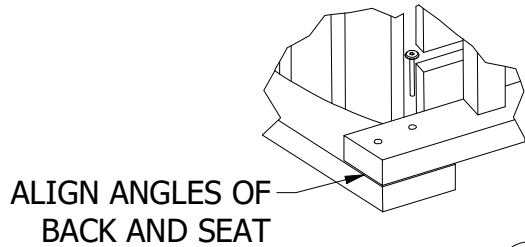


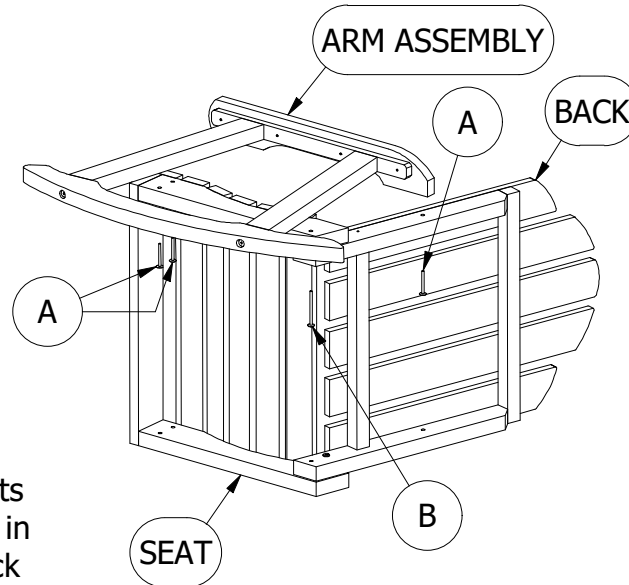
# Adirondack Collection Classic Garden Rocking Chair

## Assembly Guide



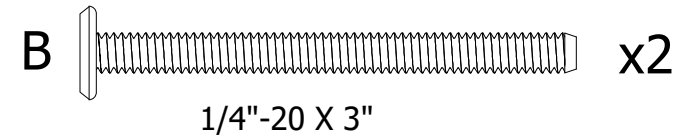
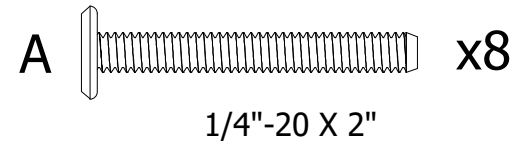
**1)** Attach Chair Back to Seat using (1) "A" Bolt in the Upper Hole on Each Side

**2)** Attach Arm Assembly to Seat using (2) "A" Bolts in Front and (1) "B" Bolt in Rear. Attach Arm to Back using (1) "A" Bolt.



**3)** Repeat on Other Side.

### HARDWARE

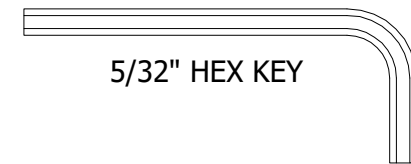


### IMPORTANT!

DO NOT fully tighten the bolts until all bolts are started. Once all bolts are inserted, go back & tighten all the bolts.

Retain these instructions for future reference

### INCLUDED TOOLS



5/32" HEX KEY